

Getting Started

Overview of the VidyoRoom Remote Control

The VidyoRoom comes with a remote control allowing quick key shortcuts to frequent VidyoRoom activities. It also provides the input mode/keyboard for typing information.

Not In Conference

CONNECT — Start meeting from the homepage.

ARROWS / OK — Use the arrow keys to navigate on-screen. The option you navigate to will be highlighted in green when activated. Press the OK key on the remote to select the option on-screen.

VOLUME / MUTE / SELFVIEW / ZOOM — Volume — adjusts the sound level
Mute — mutes your microphone
Selfview — shows preview monitor and turns control to the camera while preview is shown on the second monitor
Zoom — acts as a page up/page down for scrolling through search results on-screen

ALPHA-NUMERIC KEYPAD — Use these keys in conjunction with the input modes on-screen to key in user names, passwords, speed dials, and search terms.

CONTROL KEYPAD

Back — takes you to the previous screen in the VidyoRoom interface
Manage — brings up the remote control Help screen in the VidyoRoom interface
Home — takes users to the home screen in the VidyoRoom interface
Delete — acts as a backspace when typing in a form field
Settings — brings up the Settings screen
Toggle — refreshes the GUI
A — multifunction key
B — multifunction key
C — multifunction key
D — multifunction key

© 2009 Vidyo, Inc. All rights reserved. Vidyo, VidyoTechnology, VidyoConference, VidyoRouter, VidyoPortal, VidyoGateway, VidyoRoom, and VidyoDesktop are trademarks of Vidyo, Inc. All other trademarks are the property of their respective owners. All specifications subject to change without notice, system specifics may vary. All images are for representational purposes only, actual products may differ.

In Conference

DISCONNECT — Ends meeting

ARROWS / OK — Left/Right — pans camera (if supported by camera)
Up/Down — tilts camera (if supported by camera)
Volume — adjusts the sound level
Mute — mutes your microphone or recording source
Selfview — cycles through Selfview modes
Single Screen Mode — picture-in-picture, docked, full screen and off
Dual Screen Mode — picture-in-picture, docked and off

ALPHA-NUMERIC KEYPAD — 1-8 — sets the number of participants viewed
0 — sets the number of participants back to auto

CONTROL KEYPAD

Manage — brings up the remote control Help screen
Home — resets Camera Pan, Tilt, and Zoom to default position (if supported by camera)
Privacy — toggles Privacy mode, so that no one in the conference can see your video
Share — toggles sharing on and off when using VGA/USB device. Press the "*" button to view shared applications in full screen.
Toggle — cycles through shared sources, including none
A — swaps displays when using Dual Screen mode
[HD-200 and HD-220 Only]
C — Toggles For End Camera Control mode
D — toggles between preferred/non-preferred mode



What Is in This Box:

VidyoRoom HD-100

VidyoRoom HD-100 Accessory Kit:

- VidyoRoom Remote Control
- Batteries, AAA (2)
- Vertical Stand (1)
- Cord, Power, US, 6ft [1.82m] (1)
- Cord, Power, UK, 6ft [1.82m] (1)
- Cord, Power, Europe, 6ft [1.82m] (1)
- Cable, Ethernet, 6ft [1.82m] (1)
- Cable, HDMI/HDMI, 6ft [1.82m] (1)
- Adapter, HDMI/DVI (1)
- HD-100 Datasheet
- HD-100 Getting Started Guide
- Vidyo Documentation CD-ROM
- Cable, USB/Serial DB9, 6ft [1.82m] (1)
For use with VISCA cable
- Cable, VISCA Serial, 6ft [1.82m] (1)
VISCA Cable provides PTZ Control

Optional Purchase Components:

Camera

- Sony EVI-HD3V Camera
HDMI/DVI cable 6ft [1.82m]
Sony Power Supply
Sony Remote Control

External Infrared Receiver Kit:

- External IR USB Adapter (1)
- Cable, USB A/B, 12ft [3.65m] (1)

SpeakerPhone Options:

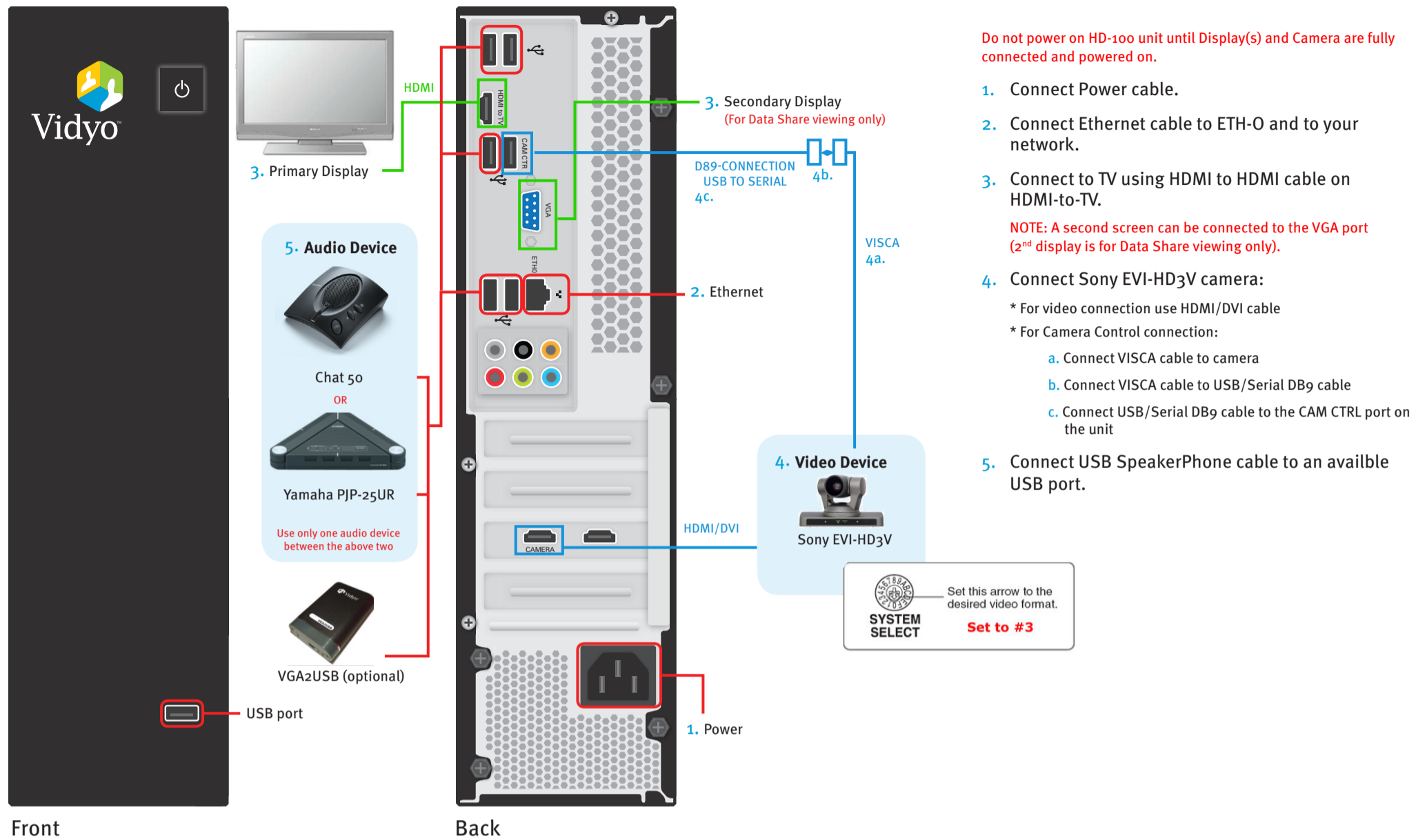
- Yamaha PJP-25UR USB Speakerphone
- ClearOne Chat 50

Screen Share Adapter Kit:

- Vidyo VGA2USB Capture Unit (1)
- Cable, USB A/miniA, 15ft [4.57m] (1)



The VidyoRoom Hardware

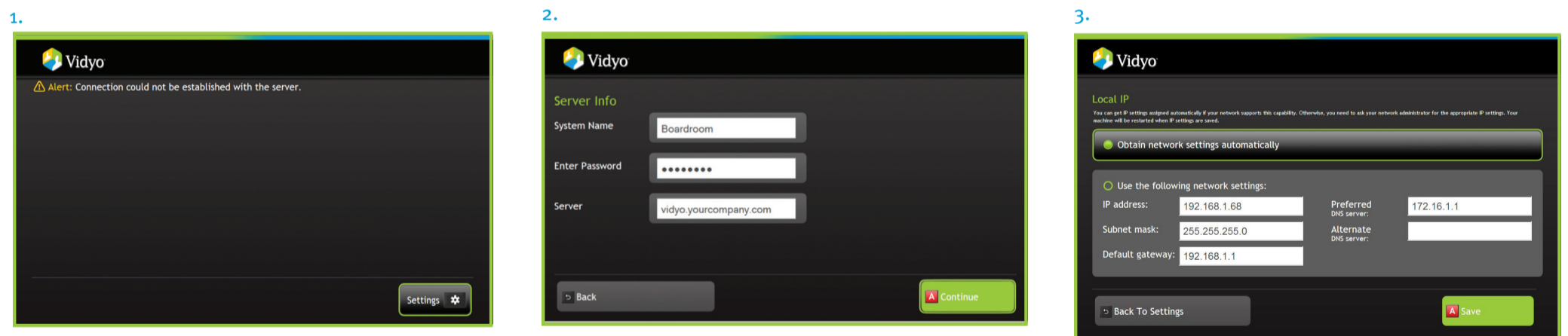


Do not power on HD-100 unit until Display(s) and Camera are fully connected and powered on.

1. Connect Power cable.
2. Connect Ethernet cable to ETH-0 and to your network.
3. Connect to TV using HDMI to HDMI cable on HDMI-to-TV.
NOTE: A second screen can be connected to the VGA port (2nd display is for Data Share viewing only).
4. Connect Sony EVI-HD3V camera:
 - * For video connection use HDMI/DVI cable
 - * For Camera Control connection:
 - a. Connect VISCA cable to camera
 - b. Connect VISCA cable to USB/Serial DB9 cable
 - c. Connect USB/Serial DB9 cable to the CAM CTRL port on the unit
5. Connect USB SpeakerPhone cable to an available USB port.

Start Up Screens*

Upon bootup you will receive the following screen and message:



- 1. Press **OK** on your VidyoRoom remote control.
- 2. **Enter System Name** — Arrow Right to scroll to Input Modes area, when complete, Arrow Left to return to Fields.
 - Enter Password** — Arrow Down to Password field then Arrow Right to Input Modes.
 - Enter VidyoPortal **Server** IP Address or URL.
 - Press **A** button on remote control, or scroll down to Continue button and then press **OK**.
- 3. Set to *Obtain network settings automatically (DHCP)* or *Use the following network settings (Static)* and enter your appropriate information, then press **A** or scroll to Save button and press **OK**.

* See separate VidyoRoom User Guide and included multilingual CD-ROM for more details.